



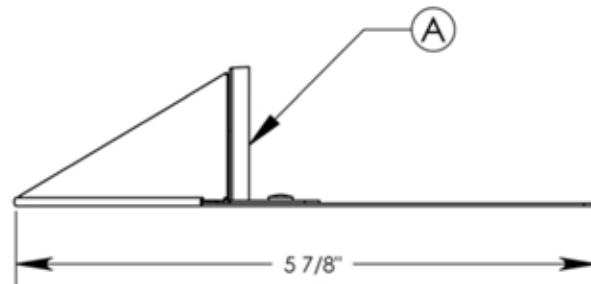
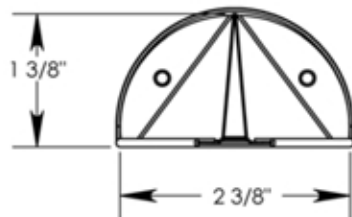
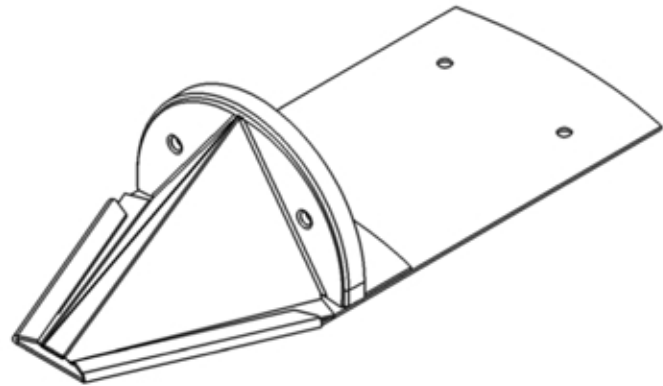
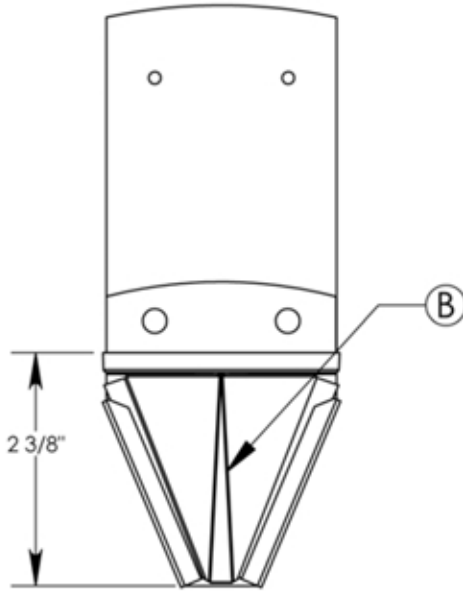
#30 Half-Round Pad-Style Snow Guard for Metal Roofs

- NOTES:
 1. SNOW GUARDS TO BE INSTALLED ACCORDING TO MANUFACTURER'S SPECIFICATIONS.
 2. DO NOT SCALE DRAWINGS.
 3. CONTACT MANUFACTURER FOR CUSTOM MATERIALS AND COLORS.
 4. CONTACT MANUFACTURER FOR SUGGESTED LAYOUT.

REVISIONS		
REV.	DESCRIPTION	DATE
A	CHANGE DIRECTION OF SNOW PAD	1/1/06
B	NEW GUSSET DESIGN	6/19/2006

MATERIAL

- | | |
|---|---------------------------------------|
| <input type="checkbox"/> COPPER | <input type="checkbox"/> FREEDOM GRAY |
| <input type="checkbox"/> ZINC | <input type="checkbox"/> GALVALUME |
| <input type="checkbox"/> LEAD-COATED COPPER | <input type="checkbox"/> POWDER COAT |
| <input type="checkbox"/> COPPER | <input type="checkbox"/> MILL FINISH |
| <input type="checkbox"/> ALUMINUM | |
| <input type="checkbox"/> POWDER COAT | |
| <input type="checkbox"/> PAINTED | |
| <input type="checkbox"/> MILL FINISH | |



#30 Half-Round Pad-Style Snow Guard for Metal Roofs